

H+H Product Datasheet

Celcon Blocks – Coursing Units

Page 1 of 2

| | Strength |
|-------------------------------|----------------------|
| Standard Grade Coursing Unit | 3.6N/mm ² |
| High Strength Coursing Unit | 7.3N/mm ² |
| Super Strength Coursing Unit* | 8.7N/mm ² |

*Super Strength is equivalent to a category II block with a strength of 10.4N/mm²

Celcon Blocks – Coursing Units



Coursing Units

Plain Faced 215mm x 65mm

Coursing units are produced from the same material and are suitable for all the same applications as conventional size Celcon Blocks, allowing consistency within the building fabric.

They are suitable for use both externally and internally in loadbearing and non-loadbearing situations. Available to suit blocks with which they are supplied.

Applications

- Protect against cold bridging
- Infill above doors and windows
- Coursing at floor and ceiling level
- Making up between joists

Loadbearing walls should not be constructed of Coursing Units as the only masonry unit.



build with ease

H+H

H+H Product Datasheet

Celcon Blocks – Coursing Units

Page 2 of 2

| Face size | Coursing Units 215mm x 65mm | | |
|---|--------------------------------|------------|------------|
| | 100 | 115 | 140 |
| Unit Thickness (mm) | 100 | 115 | 140 |
| Standard Coursing Unit Weight at 3% (kg) [†] | 0.84 | 0.96 | 1.17 |
| Standard Coursing Unit Weight (kg) ^{††} | 1.08 | 1.24 | 1.51 |
| Standard Coursing Block Weight (kg) [*] at 300/pack | 323 | 372 | 453 |
| High Strength Coursing Unit Weight at 3% (kg) [†] | 1.05 | 1.23 | 1.47 |
| High Strength Coursing Unit Weight (kg) ^{††} | 1.24 | 1.42 | 1.73 |
| High Strength Coursing Unit Weight (kg) [*] at 300/pack | 371 | 427 | 519 |
| Super Strength Coursing Unit Weight at 3% (kg) [†] | 1.05 | - | 1.47 |
| Super Strength Coursing Unit Weight (kg) ^{††} | 1.24 | - | 1.73 |
| Super Strength Coursing Unit Weight (kg) [*] at 300/pack | 371 | - | 519 |

* Pack weight excludes pallet.

† Block weights calculated at 3% moisture content by weight.

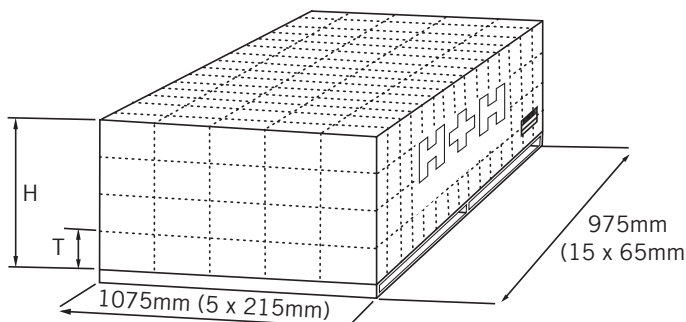
†† Blocks weights at typical moisture content when laid. (Some manufacturers may quote weights which have not allowed for this.)

20.4 Bold figures indicate that the product is above single person repetitive manual handling limits.

All shaded areas indicate that the product is a stock item at all factories, other sizes can be made to order subject to minimum quantities.

| | Coursing Unit | High Strength Coursing Unit | Super Strength Coursing Unit |
|---------------------|----------------------|-----------------------------|------------------------------|
| Unit Thickness (mm) | 3.6N/mm ² | 7.3N/mm ² | 8.7N/mm ² |

| Pack Information | 215mm x 65mm | | |
|--|--------------|------------|------------|
| Block Thickness (mm) = T | 100 | 115 | 140 |
| Coverage per pack (m ²) - 10mm joint | 5.0 | 5.0 | 5.0 |
| Coverage per pack (m ²) - 2mm joint | 4.3 | 4.3 | 4.3 |
| Number of blocks per pack | 300 | 300 | 300 |
| Pack width (mm) = H | 400 | 460 | 560 |



For further information and to check our most up-to-date product range please visit our website www.hhcelcon.co.uk or contact the following departments:

Sales

For sales enquiries or to find your local stockist please contact
 Tel: 01732 886444
 Fax: 01732 887013

Technical

For technical enquiries please contact
 Tel: 01732 880580
 Fax: 01732 880581
 Email: technical.services@hhcelcon.co.uk

build with ease

