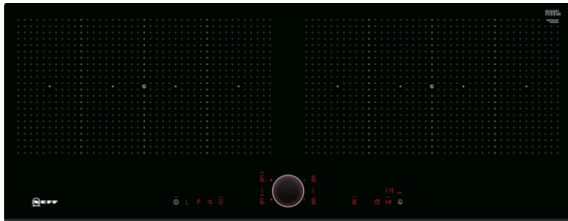


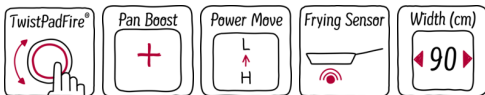
N 90, Induction hob, 90 cm,  
T50FS41X0



COOKING PASSION SINCE 1877



- ✓ Induction - With induction cooking, the heat is generated directly in the cookware for precise cooking that stops when power is off.
- ✓ FlexInduction - The FlexZone lets you place your pots and pans anywhere you want and heats them exactly where they stand.
- ✓ The TwistPad® Fire is a removable, magnetic, illuminated control knob that gives you precise, convenient control over all cooking zones. And to make things even easier, only the selectable functions are illuminated.
- ✓ PowerMove - The FlexZone is divided into three heating zones: boiling in front, simmering in the middle and warming in the rear.
- ✓ FryingSensor - The FryingSensor with 5 selectable temperature settings monitors the set temperature and holds it steady. So there's no more burning.



#### Features

##### Technical Data

Product name/family : Cooking zone ceramic  
 Construction type : Built-in  
 Energy input : Electric  
 Total number of positions that can be used at the same time : 4  
 Required niche size for installation (HxWxD) : 51 x 880-880 x 330-330  
 Width of the product (mm) : 903  
 Dimensions of the product (mm) : 51 x 903 x 346  
 Dimensions of the packed product (HxWxD) (mm) : 126 x 1031 x 472  
 Net weight (kg) : 14.835  
 Gross weight (kg) : 16.0  
 Residual heat indicator : Separate  
 Location of control panel : Hob front  
 Basic surface material : Ceramic  
 Color of surface : Black  
 Approval certificates : AENOR, CE  
 Length of electrical supply cord (cm) : 110  
 EAN code : 4242004195658  
 Electrical connection rating (W) : 7400  
 Voltage (V) : 220-240  
 Frequency (Hz) : 50; 60

#### Optional accessories

Z9410X1	Stainless Steel roaster with glas lid
Z9415X1	Steaming Rack for Stainless Steel roaste
Z9416X2	Griddle Plate
Z9417X2	Teppan Yaki (large)
Z943SE0	Set of 2 pots and 1 pan
Z9442X0	Set of 3 pots and 1 pan



# N 90, Induction hob, 90 cm, T50FS41X0

## Features

### Control

- TwistPad® Fire
- Frying Sensor:5 frying levels

### Flexibility

- 2 Flex zones
- 4 zone induction hob

### Special features

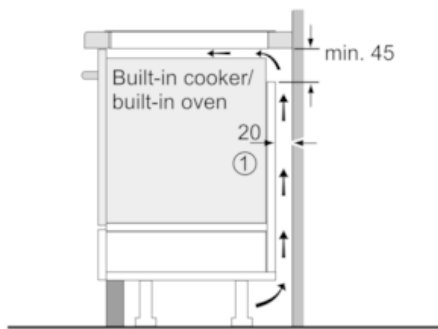
- Boost setting for all zones
- PanBoost
- Variable 17-stage power settings for each zone
- Digital display of cooking levels
- 2 stage residual heat indicators
- Timer with automatic shut off for all zones  
LED timer for each zone with switch off function and acoustic signal  
Count up timer
- ReStart function
- Automatic pan recognition  
4.6kW power output (20A); current management options for 16A, 13A or 10A connection  
Safety cut out facility  
Control panel lock  
Control panel suspension
- Keep warm function
- Energy consumption display

### Technical information

- Cooking zones: 1 x Ø 210 mmx400 mm, 3.3 KW (max. Power levels 3.7 KW) Induction or 2 x Ø 190 mm, 2.2 KW (max. Power levels 3.7 KW) Induction; 1 x Ø 210 mmx400 mm, 3.3 KW (max. Power levels 3.7 KW) Induction or 2 x Ø 190 mm, 2.2 KW (max. Power levels 3.7 KW) Induction
- Measurement: (H/B/T) 51 x 903 x 346 mm
- Installation dimensions: (I/D/W/D) 51 mm x 880 mm x 330 mm
- 90 cm width
- Length wire connection: 110 cm
- Main switch
- Min. worktop thickness: 30 mm
- Output 7400 W
- Cable included in packaging

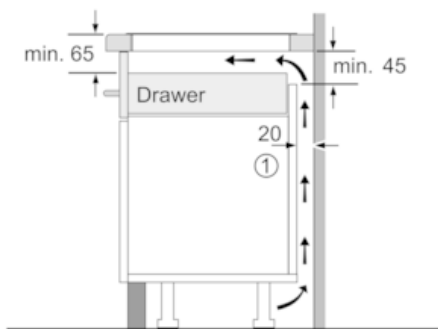
N 90, Induction hob, 90 cm,  
T50FS41X0

Dimensioned drawings



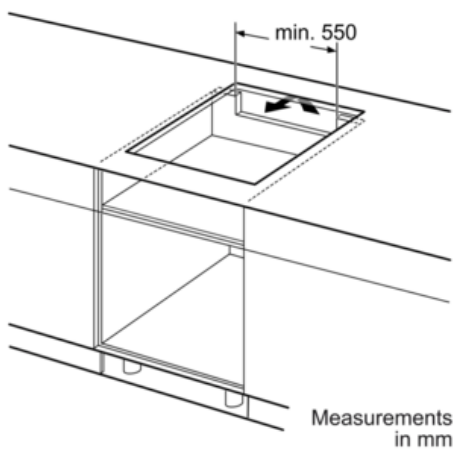
①  
Ventilation gap must  
be present

All measurements in mm



①  
Ventilation gap must  
be present.

Measurements in mm



Measurements  
in mm