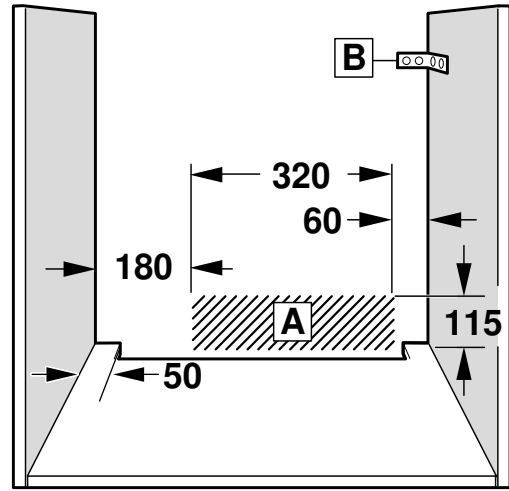
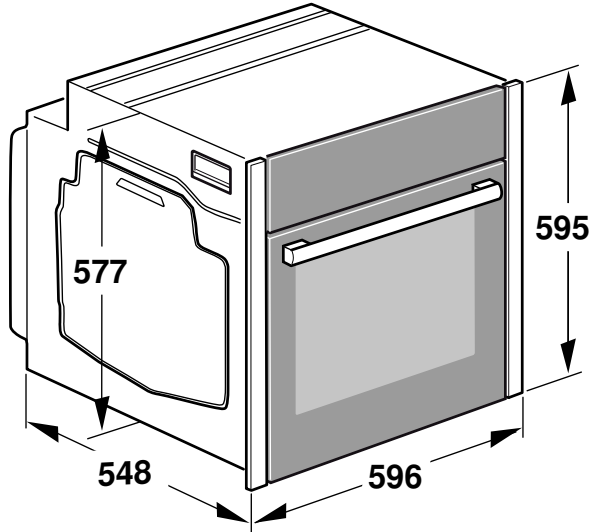




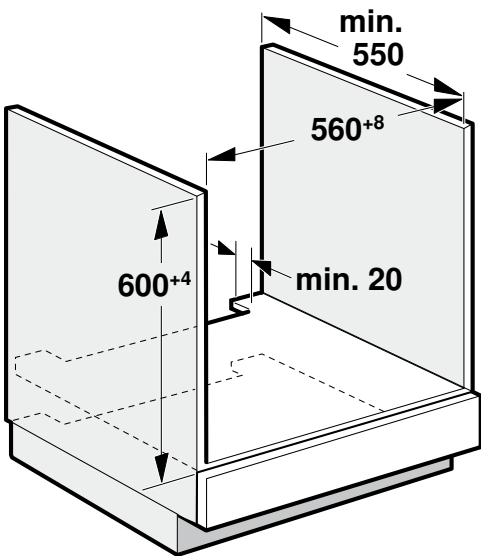
en Installation instructions



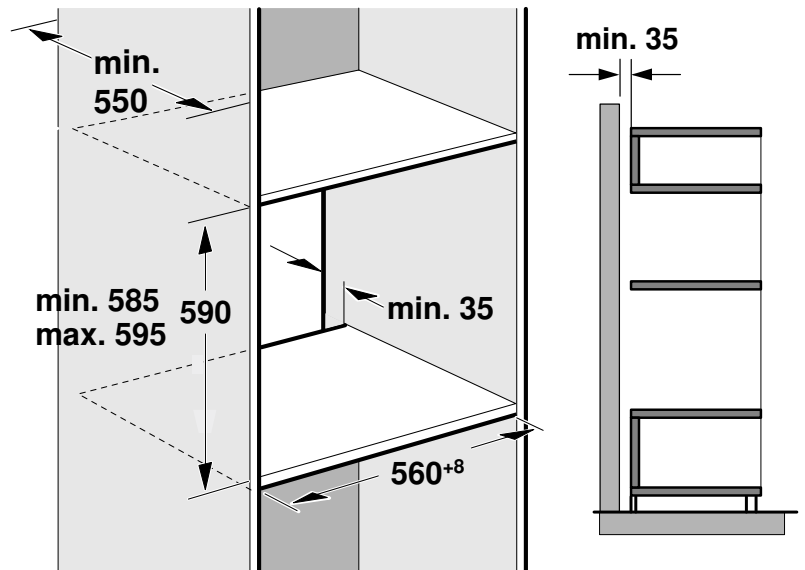
1



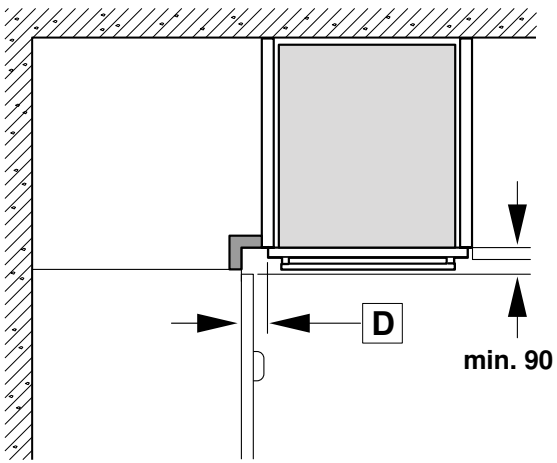
2



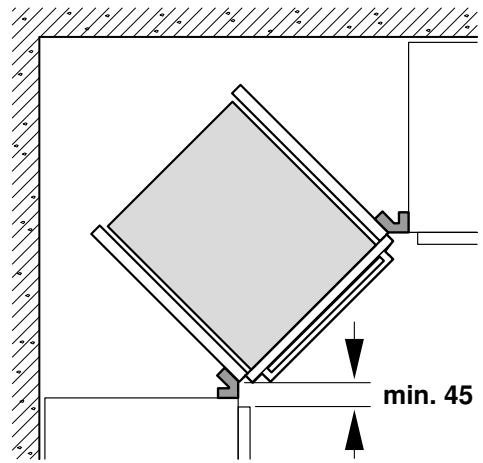
3



4

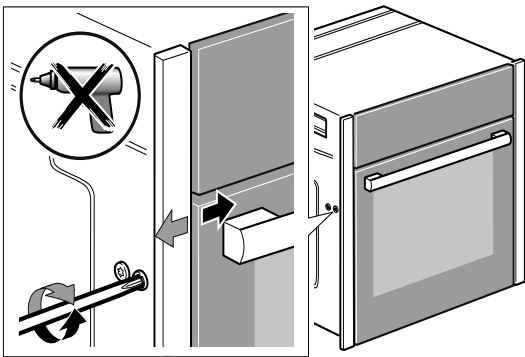


C

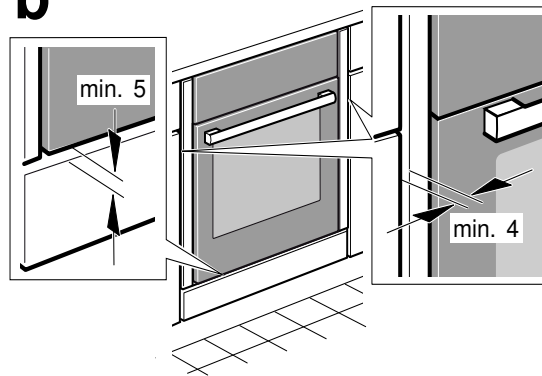


5

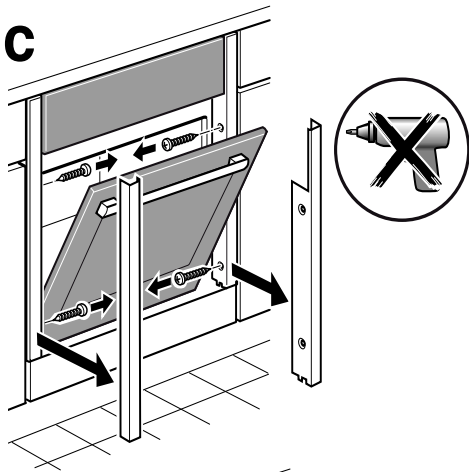
a



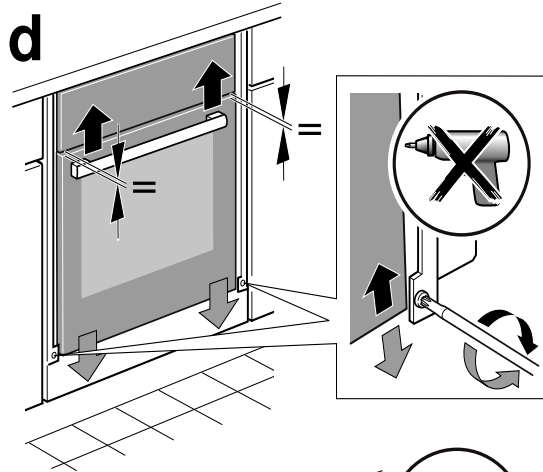
b



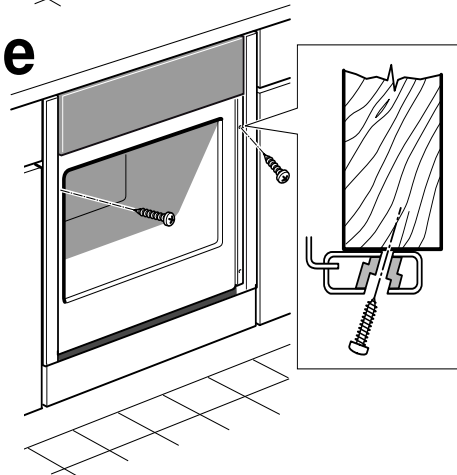
c



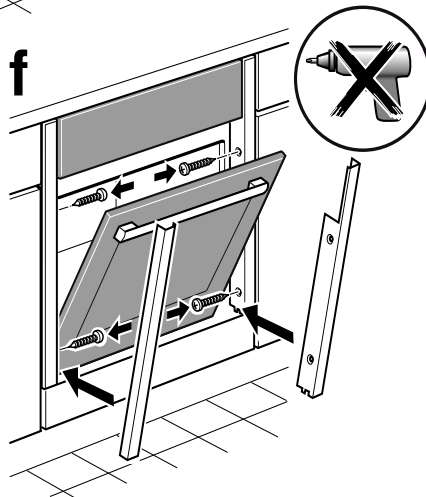
d



e



f



## Important information – Fig. 1

- The safe operation of this appliance can only be guaranteed if it has been installed to a professional standard in accordance with these installation instructions. The installer shall be liable for damages incurred as a result of incorrect installation.
- Do not use the door handle to transport or install the appliance.
- Check the appliance for damage after unpacking it. Do not connect the appliance if it has been damaged in transit.
- Before starting up the appliance, remove any packaging material and adhesive film from the cooking compartment and the door.
- Fitted units must be heat-resistant up to 90 °C, and adjacent unit fronts up to 70 °C.
- Do not install the appliance behind a decorative panel. There is a risk of overheating.
- Any cut-outs that need to be made in the units should be made before the appliance is installed. Remove any shavings as they may prevent the electrical components from working properly.
- Wear protective gloves so that you do not cut yourself. Parts that are accessible during installation may have sharp edges.
- For appliances that have a hinged switch panel, make sure that the switch panel does not hit adjacent kitchen units when you open it.
- The power socket for the appliance must either be located in the hatched area **A** or outside of the area where the appliance is installed.
- Secure freestanding units to the wall using a standard bracket **B**.
- The dimensions in the figures are in mm.

### ⚠ Wearers of electronic implants!

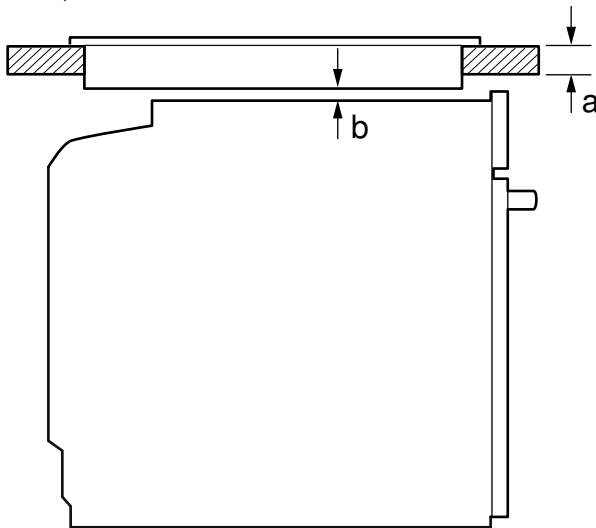
The appliance may contain permanent magnets which may affect electronic implants, e.g. heart pacemakers or insulin pumps. Therefore, during installation, wearers of electronic implants must maintain a minimum distance of 10 cm from the appliance.

### Appliance under worktop – fig. 2

To ventilate the appliance, the intermediate floor must have a ventilation cut-out.

Secure the worktop to the fitted units.

If the appliance is installed under a hob, the following minimum dimensions must be adhered to (including substructure, if applicable):



Hob type	a	a	b
	Surface-mounted	Flush-mounted	
Induction hob	37 mm	38 mm	5 mm
Full-surface induction hob	47 mm	48 mm	5 mm
Gas hob	30 mm	38 mm	5 mm
Electric hob	27 mm	30 mm	2 mm

The minimum worktop thickness **a** is based on the required minimum clearance **b**.

Proceed in accordance with the installation instructions for the hob.

### Appliance in a tall unit - Fig. 3

To ventilate the appliance, the intermediate floors must have a ventilation cut-out.

If the tall unit has another back panel in addition to the element back panels, this must be removed.

Only fit the appliance up to a height which allows accessories to be easily removed.

### Corner installation – Fig. 4

To ensure that the appliance door can be opened in a corner installation, take account of dimension **C**. Dimension **D** is dependent on the thickness of the unit front under the handle.

### Connecting the appliance to the electricity supply

The appliance corresponds to protection class 1 and must only be operated with a protective earth connection.

The fuse protection must correspond to the power rating specified on the appliance's rating plate and to local regulations.

The appliance must be disconnected from the power supply whenever installation work is being carried out.

The appliance must only be connected with the power cable provided. Connect the power cable to the back of the appliance (listen for the click).

A 3 m power cable can be obtained from the after-sales service. The power cable must only be replaced with a cable from the original manufacturer, which can be obtained from the after-sales service.

When the appliance is installed, protection must be provided against accidental contact in the future.

### Power cable with a plug with earthing contact

The appliance must only be connected to an earthing contact socket which has been correctly installed.

If the plug can no longer be reached after the installation, a partition must be provided in the phases in the permanent electrical installation in accordance with the installation regulations.

### Power cable without a plug with earthing contact

Only allow a licensed professional to connect the appliance.

In the permanent electrical installation, a partition must be provided in the phases in accordance with the installation regulations. Identify the phase and neutral conductors in the socket. The appliance may be damaged if it is not connected correctly.

Only connect the hob according to the connection diagram. See the rating plate for the voltage. Connect the wires of the mains power cable according to the colour coding: Green/yellow = PE conductor (⊕), blue = neutral conductor, brown = live (external conductor).

### India only

Please note the different colour code for the wiring: Green/yellow = PE conductor (⊕), black = neutral conductor, red = live conductor (phase conductor).

### Securing the appliance – Fig. 5

#### Caution!

Do not use a cordless screwdriver to secure the panels. This may damage the panels.

1. If necessary, you can adjust the gap between the appliance door and the panels using the adjustment screws on the left and right (Fig. 5a).

Turning the screws clockwise will make the gap larger

Turning the screws anti-clockwise will make the gap smaller

2. Push the appliance in fully. Do not kink or trap the connection cable when doing so, or route it over sharp edges.

3. Centre the appliance (Fig. 5b).

A gap of at least 4 mm is required between the appliance and the front of adjacent units.

4. Open the appliance door slightly and unscrew panels on the left and right (Fig. 5c).

5. Close the appliance door.

6. If necessary, you can adjust the height of the appliance door using the adjustment screws on the left and right (Fig. 5d).

Turning the screws clockwise will make the gap smaller

Turning the screws anti-clockwise will make the gap larger

7. Secure the appliance to the unit (Fig. 5e).

8. Open the appliance door slightly. Fit the panels and screw them in place again, first at the top and then at the bottom (Fig. 5f).

The gap between the worktop and appliance must not be sealed by additional strips.

Thermal insulation strips must not be fitted to the side panels of the surround unit.

#### **Removal**

1. Disconnect the appliance from the power supply.
2. Open the appliance door slightly and unscrew the left- and right-hand panels.
3. Undo the mounting screws.
4. Lift the appliance slightly and pull it out completely.